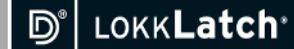




# **RECOMMENDED HINGE AND LATCH SPECIFICATIONS**

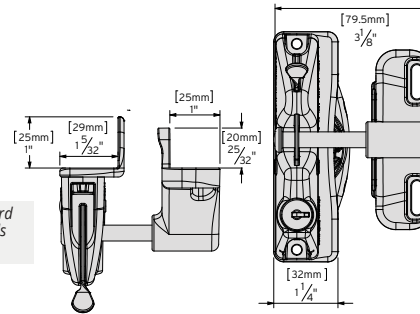
---

## LOKKLATCH SERIES 1



### SPECIFICATIONS:

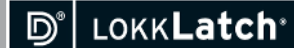
- Adjusts vertically & horizontally
- Key Lockable
- Made from high quality moulded black polymer



NOTE: All standard LOKKLATCH models are keyed alike

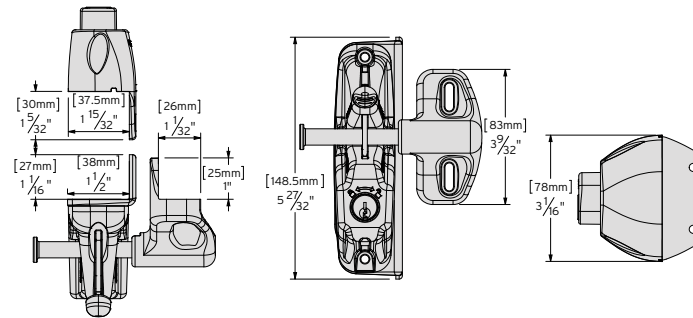
Order Code	Description	Gap Variance
<b>HW3020</b>	LokkLatch Series 1	10-35mm

## LOKKLATCH DELUXE



### SPECIFICATIONS:

- Adjusts vertically & horizontally
- Key Lockable internally and externally w/ Push-Button access
- Made from high quality moulded black polymer



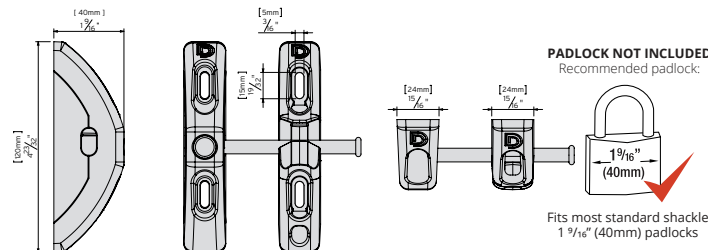
Order Code	Description	Gap Variance
<b>HW3030</b>	LokkLatch Deluxe	16-38mm

## T-LATCH



### SPECIFICATIONS:

- Adjusts vertically & horizontally
- Toggle style T-Latch compensates for any gate sag
- Made from high quality moulded black polymer



Order Code	Description	Gap Variance
<b>HW3040</b>	T-Latch	10-44mm

# OXWORKS™

### D & D TECHNOLOGIES HINGES

Genuine D & D Technologies Patented Product  
Strong, Moulded Polymer & Stainless Steel  
Limited Lifetime Warranty

- HW2020** - TruClose Standard Gate Hinge
- HW2030** - TruClose Heavy Duty Gate Hinge
- HW2010** - KwikFit Sprung Gate Hinge

### D & D TECHNOLOGIES LATCHES

Genuine D&D Technologies Patented Product

- HW3020** - Lockable LokkLatch Standard Latch
- HW3030** - Lockable LokkLatch Deluxe Latch
- HW3040** - Lockable T-Latch



TITLE: **RECOMMENDED HINGE & LATCH SPECIFICATIONS**

CONTACT: [sales@oxworks.com.au](mailto:sales@oxworks.com.au)

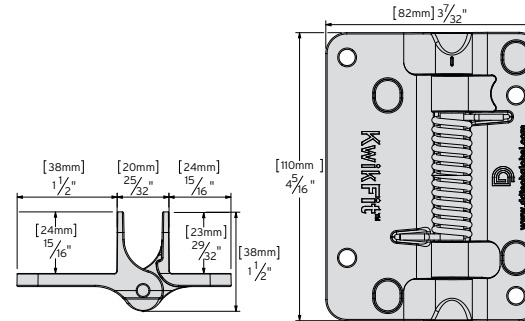
[oxworks.com.au](http://oxworks.com.au) 📞 1300 336 237

## KWIK FIT SPRUNG HINGE



### SPECIFICATIONS:

- Self Closing < 20kg gates
- Use on Metal, Wood, Vinyl
- Made from high quality moulded black polymer



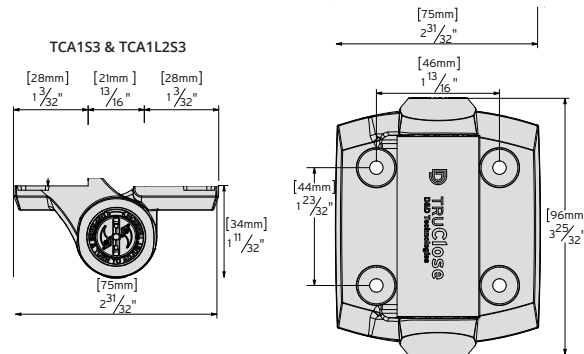
Order Code	Description	Gap Allowance
<b>HW2010</b>	Kwik Fit KFS - Sprung	20mm

## TRU-CLOSE REGULAR HINGE



### SPECIFICATIONS:

- Optional Self Closing for Gates < 25kg
- Use on Metal, Wood, Vinyl
- Made from high quality moulded black polymer



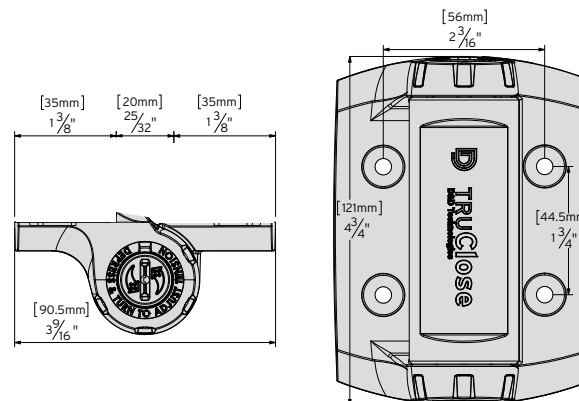
Order Code	Description	Gap Allowance
<b>HW2020</b>	Tru Close - Standard (25kg)	6-22mm

## TRU-CLOSE HEAVY DUTY HINGE



### SPECIFICATIONS:

- Optional Self Closing for Gates < 60kg
- Use on Metal, Wood, Vinyl
- Made from high quality moulded black polymer



Order Code	Description	Gap Allowance
<b>HW2030</b>	Tru Close - Heavy Duty (60kg)	10-25mm

# OXWORKS™

### D & D TECHNOLOGIES HINGES

Genuine D & D Technologies Patented Product  
Strong, Moulded Polymer & Stainless Steel  
Limited Lifetime Warranty

- HW2020** - TruClose Standard Gate Hinge
- HW2030** - TruClose Heavy Duty Gate Hinge
- HW2010** - KwikFit Sprung Gate Hinge

### D & D TECHNOLOGIES LATCHES

Genuine D&D Technologies Patented Product

- HW3020** - Lockable LokkLatch Standard Latch
- HW3030** - Lockable LokkLatch Deluxe Latch
- HW3040** - Lockable T-Latch

**D&D Technologies**  
Hi-Performance Hardware

TITLE: **RECOMMENDED HINGE & LATCH SPECIFICATIONS**

CONTACT: [sales@oxworks.com.au](mailto:sales@oxworks.com.au)

[oxworks.com.au](http://oxworks.com.au) 📞 1300 336 237