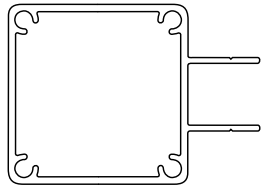
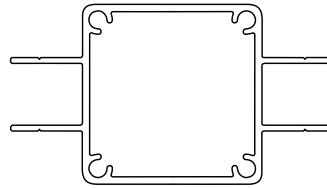


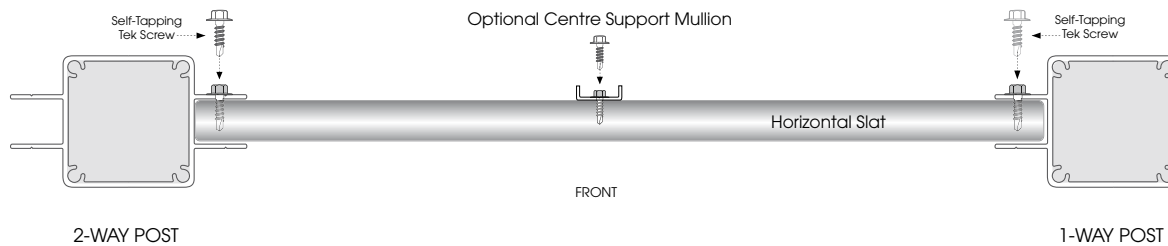
**DIY
PIER INFILL
SLAT SYSTEM**



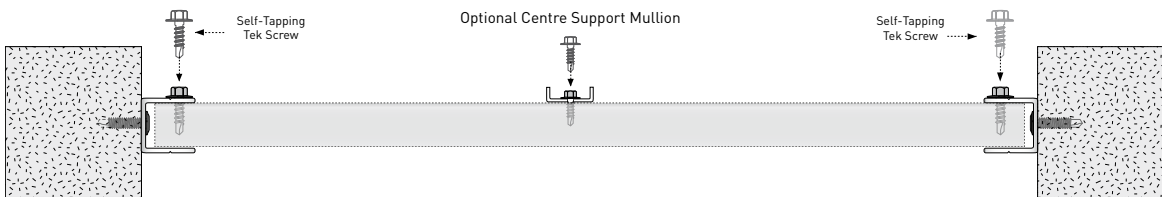
Channel Post - 1 Way
50 x 50 x 1800/2400mm



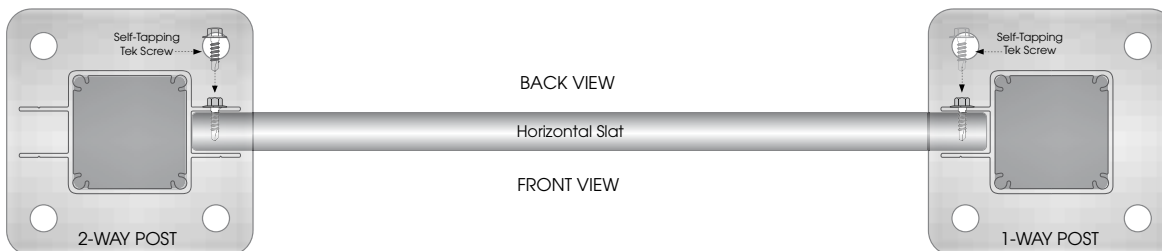
Channel Post - 2 Way
50 x 50 x 1800/2400mm



CHANNEL POST FIXING DETAIL - TOP VIEW



20 X 20MM U-CHANNEL POST FIXING DETAIL - TOP VIEW



CHANNEL POST WITH BASE PLATE FIXING DETAIL - TOP VIEW

DIY SLAT SYSTEM COMPONENTS



38 x 16 x 1.2mm SLAT
(Lengths 1800mm; 2400mm; 3600mm)



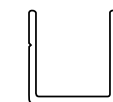
65 x 16 x 1.2mm SLAT
with Centre Support Gusset
(Lengths 1800mm; 2400mm; 3600mm)



90 x 16 x 1.2mm SLAT
with Centre Support Gusset
(Lengths 1800mm; 2400mm; 3600mm)



20 x 8 x 1.6mm
Centre Support Mullion
(Lengths 1800mm; 3600mm)



20 x 20mm
U Channel
(Lengths 1800mm; 3600mm)

OXWORKS™

SLAT OPTIONS

- 90 x 16 x 1.2mm Aluminium Slat
- 65 x 16 x 1.2mm Aluminium Slat
- 38 x 16 x 1.2mm Aluminium Slat
- Centre Support Mullion

LENGTHS: 1800mm; 2400mm; 3600mm

POWDERCOATED CHANNEL POSTS

Square 50 x 50 x 1.8mm Channel Posts with 20 x 20mm Channel

STYLES: 1-Way; 2-Way

LENGTHS: 1800mm; 2400mm

- **In Ground Post**
200 x 500/600mm Post Hole
Hole filled with Post Mix Concrete

- **Flanged Post Setup**
100 x 100 x 10mm Base Plate attached to post using 12 Gauge 316 Stainless Steel Countersunk Head Self Tapping 50mm Metal Screw.

- **Flanged Post - On Slab**
M10 Stainless Steel Rod & Nut; Chemset Chemical Anchor

- **Flanged Post - On Timber**
M10 x 75mm Stainless Steel Batten Screw into structural timber

P/COATED U CHANNEL & MULLION

20 x 20 x 1.6mm U Channel can be used instead of Channel posts to fix to existing posts

20 x 8 x 1.6mm Centre Mullion

U CHANNEL/MULLION FIXINGS

10G*16 Coloured Wafer Head Screw

SLAT FIXINGS

Colour Matched Class 3 10-16*20 Self Tapping Tek Screws

TITLE: **DIY ALUMINIUM SLAT PIER INFILLS CHANNELS AND ANGLE FITTINGS**

CONTACT: sales@oxworks.com.au

oxworks.com.au 📞 1300 336 237

SLAT OPTIONS

- 90 x 16 x 1.2mm Aluminium Slat
- 65 x 16 x 1.2mm Aluminium Slat
- 38 x 16 x 1.2mm Aluminium Slat
- Centre Support Mullion

LENGTHS: 1800mm; 2400mm; 3600mm

POWDERCOATED CHANNEL POSTS

Square 50 x 50 x 1.8mm Channel Posts with 20 x 20mm Channel

STYLES: 1-Way; 2-Way

LENGTHS: 1800mm; 2400mm

- In Ground Post
200 x 500/600mm Post Hole
Hole filled with Post Mix Concrete

P/COATED U CHANNEL & MULLION

20 x 20 x 1.6mm U Channel can be used instead of Channel posts to fix to existing posts to existing posts

20 x 8 x 1.6mm Centre Mullion

U CHANNEL/MULLION FIXINGS

10G*16 Coloured Wafer Head Screw

SLAT FIXINGS

Colour Matched Class 3 10-16*20
Self Tapping Tek Screws

MATERIALS

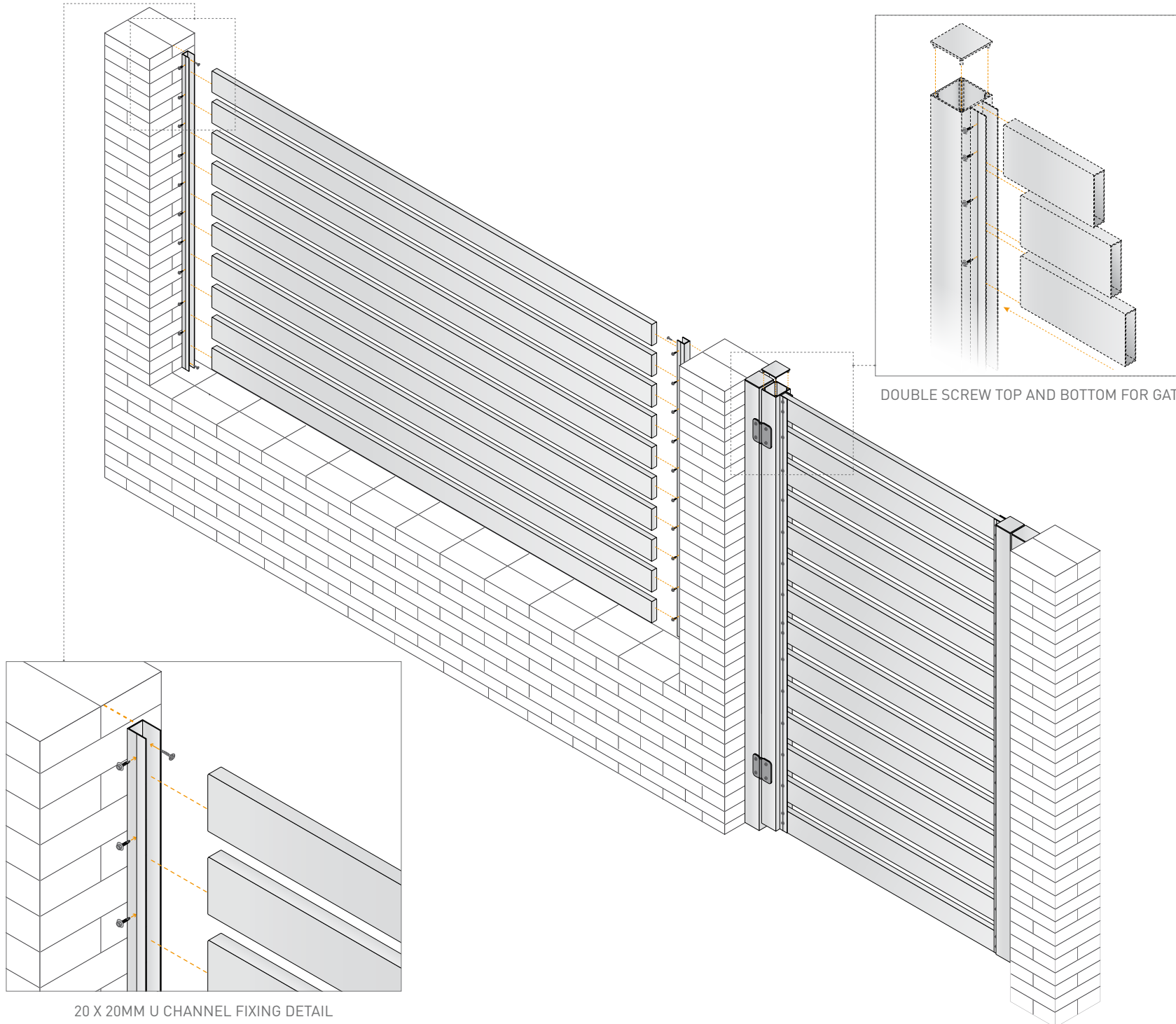
6063 T6 Aluminium - Powder Coated

All of our Aluminium Slat Systems are available in the Interpon Powder Coating Colour Range

TITLE: **DIY ALUMINIUM
SLAT PIER INFILLS
PIER INFILLS/EXISTING POST
PANELS AND GATES**

CONTACT: sales@oxworks.com.au

oxworks.com.au 📞 1300 336 237



20 X 20MM U CHANNEL FIXING DETAIL

SLAT OPTIONS

- 90 x 16 x 1.2mm Aluminium Slat
- 65 x 16 x 1.2mm Aluminium Slat
- 38 x 16 x 1.2mm Aluminium Slat
- Centre Support Mullion

LENGTHS: 1800mm; 2400mm; 3600mm

POWDERCOATED CHANNEL POSTS

Square 50 x 50 x 1.8mm Channel Posts with 20 x 20mm Channel

STYLES: 1-Way; 2-Way

LENGTHS: 1800mm; 2400mm

- **In Ground Post**
200 x 500/600mm Post Hole
Hole filled with Post Mix Concrete
- **Flanged Post Setup**
100 x 100 x 10mm Base Plate attached to post using 12 Gauge 316 Stainless Steel Countersunk Head Self Tapping 50mm Metal Screw.
- **Flanged Post - On Slab**
M10 Stainless Steel Rod & Nut;
Chemset Chemical Anchor
- **Flanged Post - On Timber**
M10 x 75mm Stainless Steel Batten
Screw into structural timber

P/COATED U CHANNEL & MULLION

20 x 20 x 1.6mm U Channel can be used instead of Channel posts to fix to existing posts

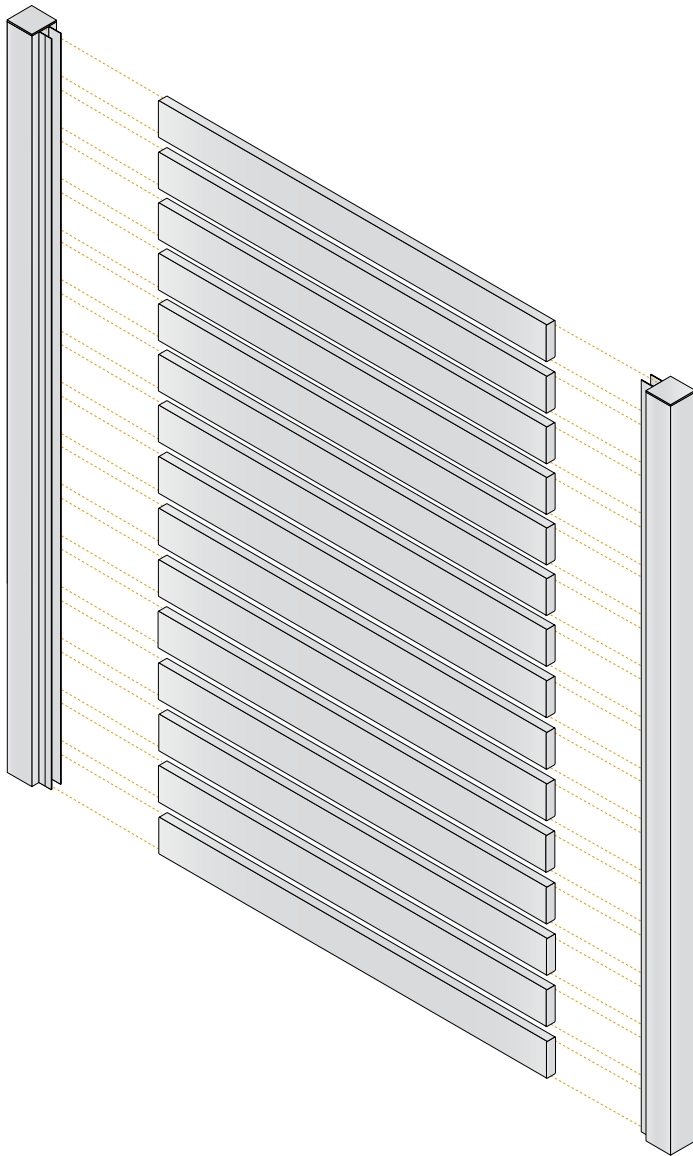
20 x 8 x 1.6mm Centre Mullion

U CHANNEL/MULLION FIXINGS

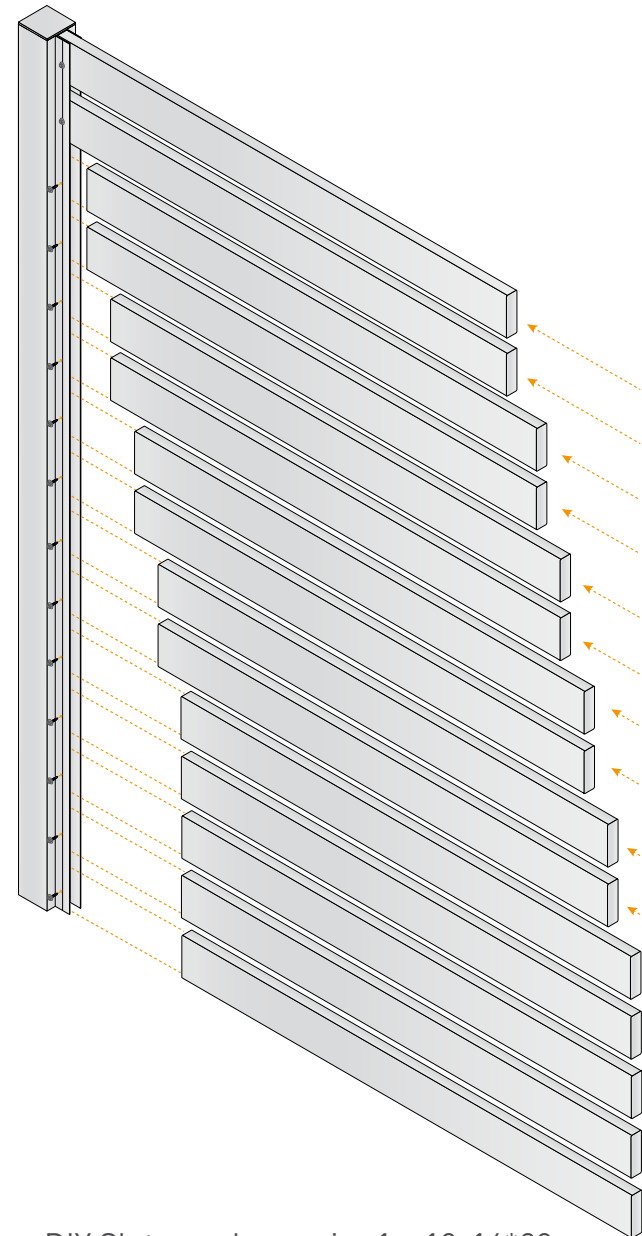
10G*16 Coloured Wafer Head Screw

SLAT FIXINGS

Colour Matched Class 3 10-16*20 Self Tapping Tek Screws



1. Unlike other Slat Systems on the market, our system allows you to choose your own slat spacings to suit your individual requirements.



2. DIY Slat panels require 1 x 10-16*20 Self Tapping Tek Screw fixing at each end of each slat.

TITLE: **DIY ALUMINIUM
SLAT PIER INFILLS
INSTALLATION GUIDE**

CONTACT: sales@oxworks.com.au

oxworks.com.au 📞 1300 336 237